

# IP7133/7134

## Fixed Network Camera

**3GPP • Privacy Button • Compact Design**



VIVOTEK IP7133 (Wired) /7134 (Wireless) is an easy-to-use network camera designed specifically for home security applications with a compact, stylish exterior. Despite its ultra-compact size, this unit incorporates a number of advanced features to fit your surveillance needs.

Embedded with the VIVOTEK VVTK-1000 SoC, this camera can simultaneously deliver dual streams in MPEG-4 and MJPEG formats with different video resolution and quality for different devices such as PCs or 3G cell phones. With this network camera, you can quickly and easily view the current status of your children, the elderly, or even your pets with live, clear videos while you are away from home. The IP7133 also supports built-in 802.11b/g WLAN capability, which reduces clutter through elimination of the need for extra cabling.

Additionally, this camera comes with a push button on the front side for privacy, allowing you to manually suspend video monitoring with ease when returning home. With its elegant design and versatile functions, the VIVOTEK IP7133/7134 is the best choice for the fundamental establishment of home security.

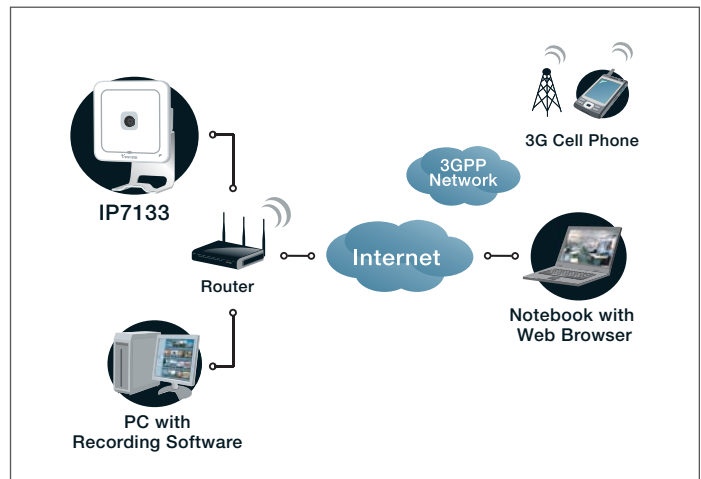
## Features

- > Real-time MPEG-4 and MJPEG Compression (Dual Codec)
- > Simultaneous Dual Streams
- > 3GPP Mobile Surveillance
- > Built-in 802.11b/g WLAN (IP7134)
- > Digital I/O for External Sensor and Alarm
- > Privacy Button to Pause Monitoring
- > Easy to Install with VIVOTEK Installation Wizard 2
- > Stylish Design for Home Decoration

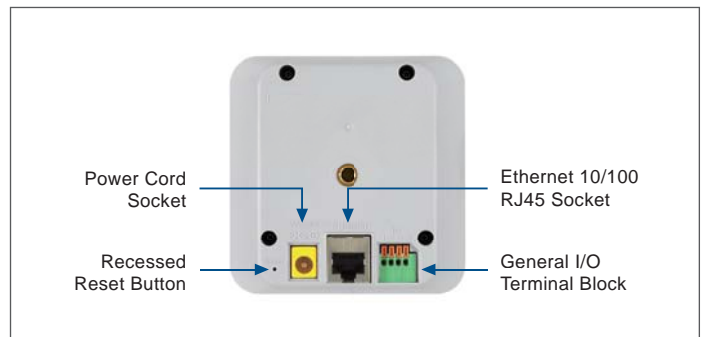
Models	<ul style="list-style-type: none"> <li>· IP7133 (Wired)</li> <li>· IP7134 (WLAN)</li> </ul>
System	<ul style="list-style-type: none"> <li>· CPU: VVTK-1000 SoC</li> <li>· Flash: 4MB</li> <li>· RAM: 32MB</li> <li>· Embedded OS: Linux 2.4</li> </ul>
Lens	<ul style="list-style-type: none"> <li>· Board lens, f = 4.09 mm, F2.0, Fixed, focus range: 70 cm to infinity</li> </ul>
Angle of View	<ul style="list-style-type: none"> <li>· 49.6° (horizontal)</li> <li>· 38.2° (vertical)</li> </ul>
Shutter Time	<ul style="list-style-type: none"> <li>· 1/5 sec. to 1/15,000 sec.</li> </ul>
Image Sensor	<ul style="list-style-type: none"> <li>· 1/4" CMOS sensor in VGA resolution</li> </ul>
Minimum Illumination	<ul style="list-style-type: none"> <li>· 0.4 Lux / F2.0</li> </ul>
Video	<ul style="list-style-type: none"> <li>· Compression: MJPEG &amp; MPEG-4</li> <li>· Streaming:                             <ul style="list-style-type: none"> <li>· Simultaneous dual streams</li> <li>· MPEG-4 streaming over UDP, TCP or HTTP</li> <li>· MPEG-4 multicast streaming</li> <li>· MJPEG streaming over HTTP</li> </ul> </li> <li>· Supports 3GPP mobile surveillance</li> <li>· Frame rates:                             <ul style="list-style-type: none"> <li>· MPEG-4: Up to 30/25 fps at 640x480</li> <li>· MJPEG: Up to 30/25 fps at 640x480</li> </ul> </li> </ul>
Image Settings	<ul style="list-style-type: none"> <li>· Adjustable image size, quality and bit rate</li> <li>· Time stamp and text caption overlay</li> <li>· Flip &amp; mirror</li> <li>· Configurable brightness, contrast, saturation, sharpness and white balance</li> <li>· AGC, AWB, AES</li> <li>· Supports privacy masks</li> </ul>
Audio	<ul style="list-style-type: none"> <li>· Compression:                             <ul style="list-style-type: none"> <li>· GSM-AMR speech encoding, bit rate: 4.75 kbps to 12.2 kbps</li> <li>· MPEG-4 AAC audio encoding, bit rate: 16 kbps to 128 kbps</li> </ul> </li> <li>· Interface:                             <ul style="list-style-type: none"> <li>· Built-in microphone</li> <li>· Supports audio mute</li> </ul> </li> </ul>
Networking	<ul style="list-style-type: none"> <li>· 10/100 Mbps Ethernet, RJ-45</li> <li>· Built-in 802.11b/g WLAN (IP7134)</li> <li>· Protocols: IPv4, TCP/IP, HTTP, UPnP, RTSP/ RTP/RTCP, IGMP, SMTP, FTP, DHCP, NTP, DNS, DDNS and PPPoE</li> </ul>
Alarm and Event Management	<ul style="list-style-type: none"> <li>· Triple-window video for motion detection</li> <li>· One D/I and one D/O for external sensor and alarm</li> <li>· Event notification using HTTP, SMTP or FTP</li> <li>· Local recording of MP4 file</li> </ul>
Security	<ul style="list-style-type: none"> <li>· Multi-level user access with password protection</li> <li>· IP address filtering</li> <li>· Wireless: WEP, WPA-PSK, WPA2 (IP7134)</li> </ul>
Users	<ul style="list-style-type: none"> <li>· Live viewing for up to 10 clients</li> </ul>
Dimension	<ul style="list-style-type: none"> <li>· 26.9 mm (D) x 86.7 mm (W) x 87.6 mm (H)</li> </ul>
Weight	<ul style="list-style-type: none"> <li>· Net: 106 g (IP7133)</li> <li>· Net: 122 g (IP7134)</li> </ul>

LED Indicator	<ul style="list-style-type: none"> <li>· System power and status indicator</li> <li>· System activity and network link indicator</li> <li>· Privacy button on</li> </ul>
Power	<ul style="list-style-type: none"> <li>· 5V DC</li> <li>· Power consumption: Max. 5 W (IP7133) Max. 6.6 W (IP7134)</li> </ul>
Approvals	<ul style="list-style-type: none"> <li>· CE, LVD, FCC, VCCI</li> </ul>
Operating Environments	<ul style="list-style-type: none"> <li>· Temperature: 0 ~ 40 °C (32 ~ 102 °F)</li> <li>· Humidity: 20% ~ 80% RH</li> </ul>
Viewing System Requirements	<ul style="list-style-type: none"> <li>· OS: Microsoft Windows 7/Vista/XP/2000</li> <li>· Browser: Mozilla Firefox, Internet Explorer 6.x or above</li> <li>· Cell phone: 3GPP player</li> <li>· Real Player: 10.5 or above</li> <li>· Quick Time: 6.5 or above</li> </ul>
Installation, Management, and Maintenance	<ul style="list-style-type: none"> <li>· Installation Wizard 2</li> <li>· 32-CH ST7501 recording software</li> <li>· Supports firmware upgrade</li> </ul>
Applications	<ul style="list-style-type: none"> <li>· SDK available for application development and system integration</li> </ul>
Warranty	<ul style="list-style-type: none"> <li>· 12 months</li> </ul>

## System overview



## External View



All specifications are subject to change without notice. Copyright©2009 VIVOTEK INC. All rights reserved.

*Distributed by:*



6F, No.192, Lien-Cheng Rd., Chung-Ho, Taipei County, Taiwan  
 Tel: +886 2 8245 5282 | Fax: +886 2 8245 5532 | E-mail: sales@vivotek.com  
**VIVOTEK USA, INC.**  
 470 Lakeside Drive Suite C, Sunnyvale, CA 94085 USA  
 Tel: 408-773-8686 | Fax: 408-773-8298 | E-mail: salesusa@vivotek.com